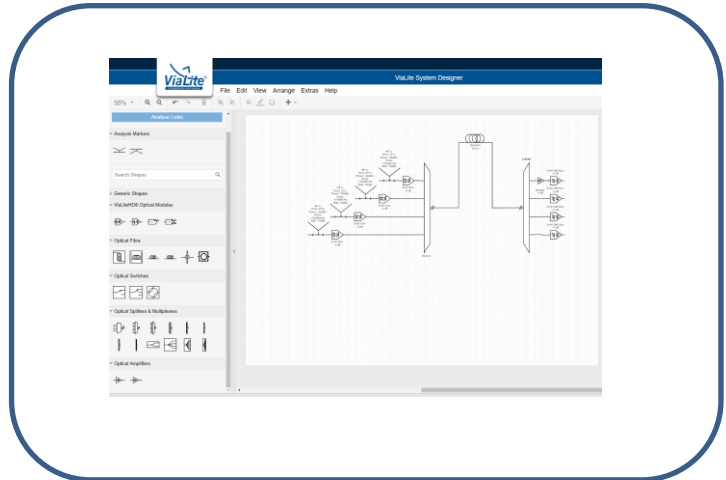


# ViaLiteHD® – System Designer

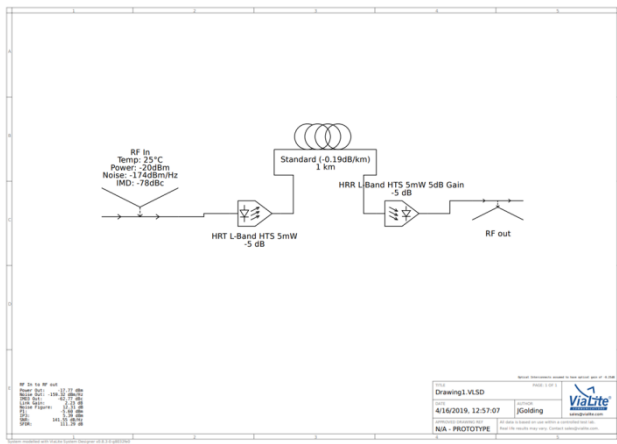
## System Designer Tool

- Graphical design program
- Drag and drop components
- Easy access online
- System analyzer
- Design services
- Rack space calculator
- BOM generator



**ViaLite's** System Designer tool was developed for complex system designs where multiple DWDM products are required. The software allows users to predict and validate the performance of an end solution.

Items can be dragged and dropped from a pallet of components to build a system design. Once completed, the user can analyze their design using the built-in calculator and see the end-to-end system performance. The design and results can be saved as an editable file, saved as a PDF or printed locally.



### Clear Schematic Output

Link designs are published as a PDF document incorporating a link performance summary, parts list and schematic output of the full end-to-end system.

### Flexible Licensing Structure

The System Designer is available as a cloud-based tool, accessible over the Internet. Four licence options are available, starting with a single day limited access trial. Standard and Premium licences give progressively more access to the tool for more complex designs, with the access lasting up to 12 months. Access to online documentation is available as long as you have an active account.

### Consultancy Services – Design Architect

As an extra level of reassurance throughout the design process, **ViaLite** offers a paid Design Architect service. The Design Architect will suggest different design options and check design work the user has saved to the cloud. Once the design is finalized, the Architect will add a **ViaLite** certified design number to your solution to classify it as a validated design.



License options

|                            | Lite License | Standard License | Premium License | Consultant Service |
|----------------------------|--------------|------------------|-----------------|--------------------|
| <b>Systems Design</b>      |              |                  |                 |                    |
| Basic Link Designer        | ✓            | ✓                | ✓               | ✓                  |
| System Designer            | ✓            | ✓                | ✓               | ✓                  |
| Cloud Backup & PDF Print   | ✓            | ✓                | ✓               | ✓                  |
| <b>Analyser</b>            |              |                  |                 |                    |
| Link Gain                  |              | ✓                | ✓               | ✓                  |
| Noise Figure (SNR)         |              | ✓                | ✓               | ✓                  |
| SFDR                       |              | ✓                | ✓               | ✓                  |
| IP3                        |              | ✓                | ✓               | ✓                  |
| P1                         |              | ✓                | ✓               | ✓                  |
| <b>BOM</b>                 |              |                  |                 |                    |
| BOM Generator              |              |                  | ✓               | ✓                  |
| Rack Space Calculator      |              |                  | ✓               | ✓                  |
| Spares Calculator          |              |                  | ✓               | ✓                  |
| <b>Design Services</b>     |              |                  |                 |                    |
| Dedicated Design Architect |              |                  |                 | ✓                  |
| ViaLite Verified Design    |              |                  |                 | ✓                  |

Product configurator

